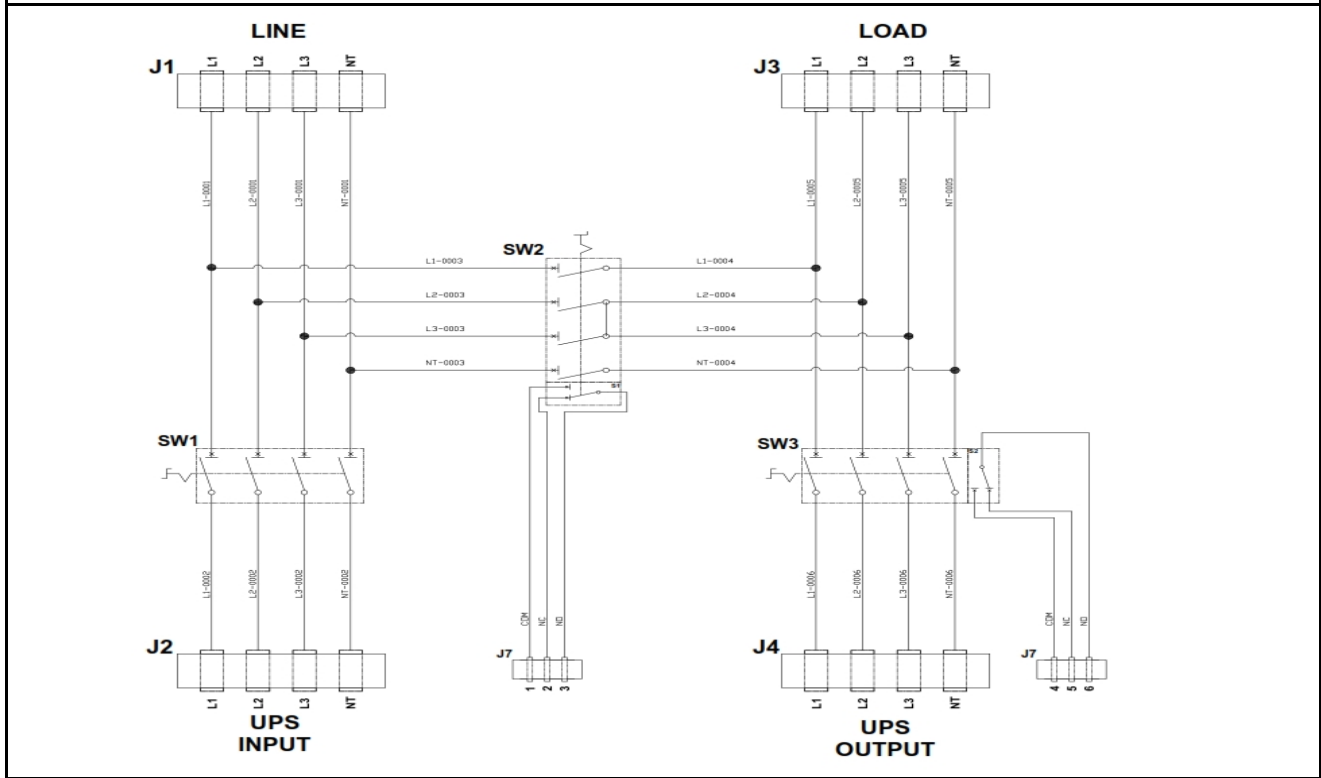


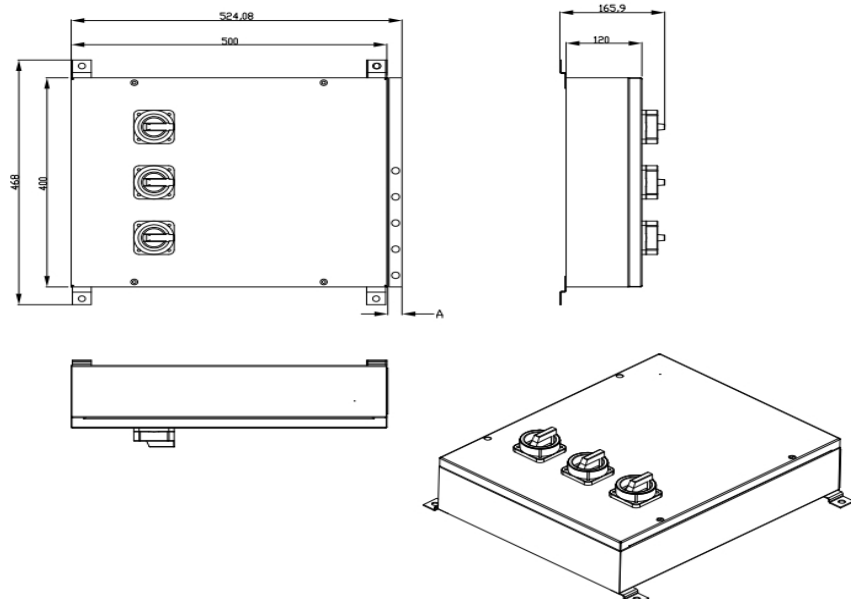
PRODUCT CARD			
PRODUCT MODEL	MSBP0040A01HV2-SW2		
PRODUCT WEIGHT (Kg)			
DESCRIPTION	40A 01 UPS NONE ANALYZER INPUT-OUTPUT=4 POLE BY PASS=4POLE		
FEATURES			
KEY TYPE	SWITCH - DISCONNECTORS	UPS QUANTITY	1
POWER ANALYZER	NO	BRAND	TELERGON

SINGLE LINE DRAWINGS



PANEL

PANEL CODE	MKSBP0015	USED RECORDS			
SIZE(mm)(WxHxD)	400 x 500 x 120	PG 16	1 PIECE	PG 36	4 PIECE
PANEL WEIGHT(Kg)		ASSEMBLY SIZE(mm)(WxHxD)		468 x 524,8 x 165,9	



TYPES OF RECORD

NAME	A	Ø
PG 16	40 mm	22 mm
- - - -	- -	- -